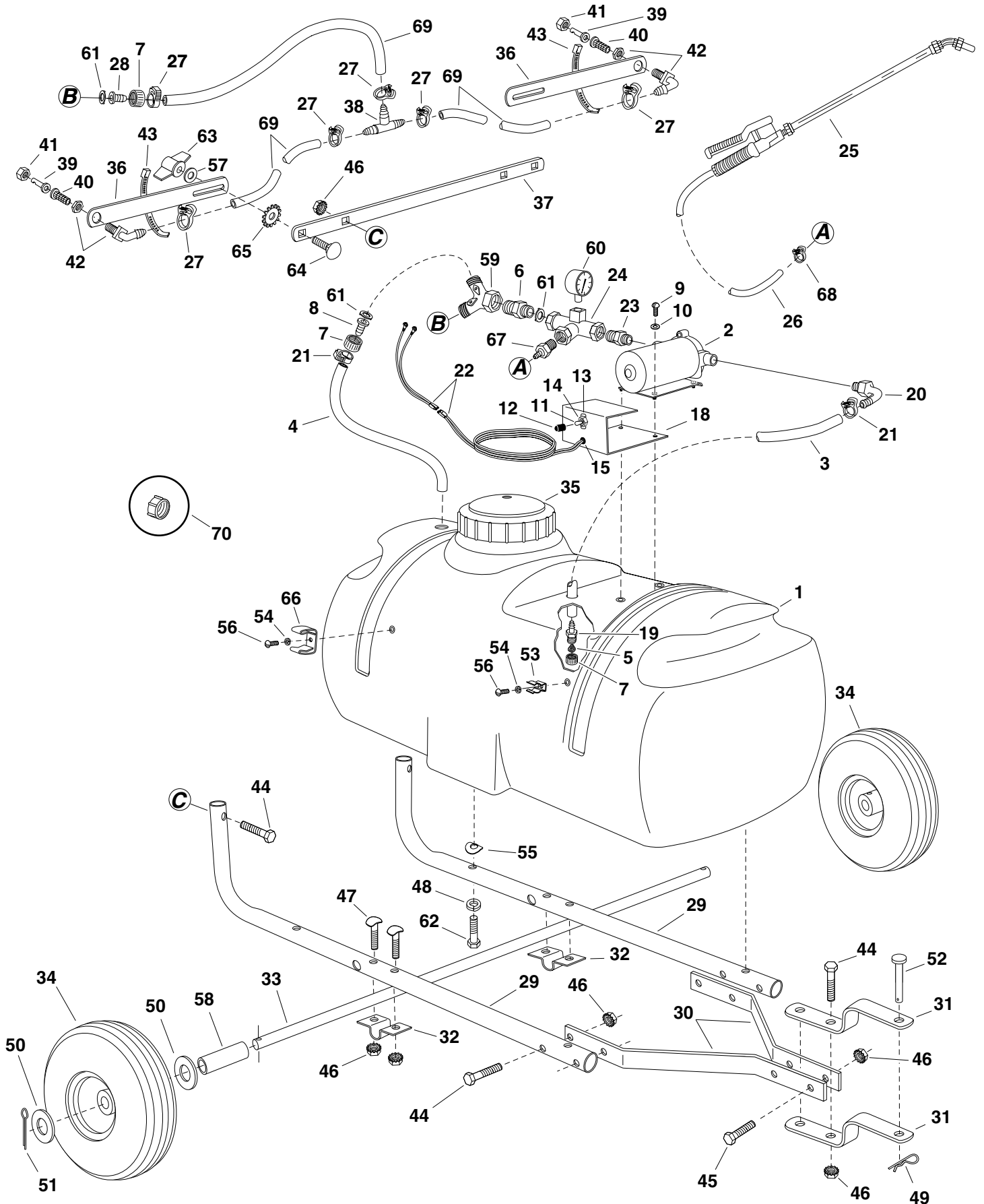


REPAIR PARTS FOR 25 GALLON SPRAYER MODEL 45-02931



REPAIR PARTS LIST FOR 25 GALLON SPRAYER MODEL 45-02931

| REF. NO. | PART NO. | QTY. | DESCRIPTION | REF. NO. | PART NO. | QTY. | DESCRIPTION |
|----------|----------|------|--------------------------------------|----------|----------|------|------------------------------------|
| 1 | 46283 | 1 | Tank (25 Gal.) | 40 | 45029 | 2 | Strainer, Screen Type |
| 2 | 45015 | 1 | Pump and Motor | 41 | 45037 | 2 | Nut, Screen Body |
| 3 | 46278 | 1 | Hose, 1/2" ID (24" Lg.) | 42 | 47396 | 2 | Elbow, Plastic 11/16" Thd. |
| 4 | 45021 | 1 | Hose, 1/2" ID (20" Lg) | 43 | 726-0178 | 2 | Nylon Tie |
| 5 | 45024 | 1 | Strainer, Cap Type 1" | 44 | 44180 | 8 | Bolt, Hex 5/16-18 x 2" |
| 6 | 45031 | 1 | Adapter, 1/2" NPT x Hose | 45 | 43840 | 2 | Bolt, Hex 5/16-18 x 1-1/4" |
| 7 | 45032 | 3 | Nut, Swivel 3/4" Garden Hose | 46 | 46980 | 14 | Nut, Hex 5/16-18 (SEMS) |
| 8 | 45033 | 1 | Hose Barb, 1/2" | 47 | 44947 | 4 | Bolt, Curved Head 5/16-18 x 1-5/8" |
| 9 | 45069 | 4 | Screw, Ph. Pan Hd. 10-24 x 1" Lg. | 48 | 43086 | 4 | Lock Washer, 5/16" |
| 10 | 43910 | 4 | Washer, Flat #10 SAE | 49 | 43343 | 1 | Pin, Hair Cotter #4 (1/8") |
| 11 | 45084 | 1 | Switch, On - Off | 50 | 43009 | 4 | Washer, 3/4" |
| 12 | 45082 | 1 | Boot, Rubber Switch | 51 | 43093 | 2 | Cotter Pin, 1/8" x 1-1/2" |
| 13 | 45080 | 1 | Plate, On - Off Switch | 52 | 47623 | 1 | Hitch Pin |
| 14 | 45048 | 1 | Nut, Hex 15/32-32 Thd. | 53 | 45180 | 1 | Hose Clip, Small |
| 15 | 45087 | 1 | Bushing, Strain Relief | 54 | 736-0722 | 2 | Lock Washer, #10 |
| 16 | 45085 | 1 | Terminal, .25 Male Tab (not shown) | 55 | 44695 | 4 | Washer, Bowed |
| 17 | 45086 | 1 | Terminal, .25 Female Tab (not shown) | 56 | 45040 | 2 | Screw, Phillips Hd. #10-24 x 1/2" |
| 18 | 23889 | 1 | Bracket, Switch Mounting | 57 | 43081 | 2 | Washer, 5/16" Std. Wrt. |
| 19 | 46276 | 1 | Adapter, 3/4" GH x 1/2" Barb | 58 | 45151 | 2 | Spacer |
| 20 | 46277 | 1 | Elbow, 3/8 NPT x 1/2" Barb | 59 | 45017 | 1 | Hose "Y" W / Valves 3/4" |
| 21 | 45025 | 2 | Clamp, 1/2" Hose | 60 | 45071 | 1 | Gauge, Pressure 2" 100 PSI |
| 22 | 45018 | 1 | Connector with Wire | 61 | 45072 | 3 | Gasket, 3/4" Garden Hose |
| 23 | 45049 | 1 | Nipple, (Nylon) 1/2" x 3/8" Red. | 62 | 48043 | 4 | Bolt, Hex 5/16-18 x 1-5/8" |
| 24 | 45050 | 1 | Tee, 1/2" x 1/2" x 1/2" (1/4" Port) | 63 | 712-0421 | 2 | Knob |
| 25 | 47406 | 1 | Spray Gun | 64 | 43682 | 2 | Bolt, Carriage 5/16-18 x 1-1/4" |
| 26 | 47393 | 1 | Hose, 1/4" ID (12' 6" Lg) | 65 | 44732 | 2 | Washer, Tooth Lock 5/16" |
| 27 | 45026 | 6 | Clamp, 3/8" Hose | 66 | 47397 | 1 | Hose Clip (Large) |
| 28 | 45034 | 1 | Hose Barb, 3/8" | 67 | 47390 | 1 | Adapter, 1/2" NPT x 1/4" Barb |
| 29 | 48296 | 2 | Frame Tube | 68 | 47405 | 1 | Clamp, 1/4" Hose |
| 30 | 24860 | 1 | Hitch Arm | 69 | 47392 | 3 | Hose, 3/8" ID (20" Lg.) |
| 31 | 23014 | 2 | Hitch Bracket | 70 | 48719 | 1 | Drain Cap |
| 32 | 23917 | 2 | Clamp, 3/4" Axle | | 48303 | 1 | Owners Manual |
| 33 | 24615 | 1 | Axle, 3/4" | | | | |
| 34 | 44456 | 2 | Wheel | | | | |
| 35 | 46700 | 1 | Lid | | | | |
| 36 | 24122 | 2 | Boom Bar | | | | |
| 37 | 24585 | 1 | Bracket, Boom Mount | | | | |
| 38 | 47394 | 1 | Tee, Plastic 3/8" Hose | | | | |
| 39 | 45028 | 2 | Nozzle, SS Floodjet | | | | |

SpeedPart *the fastest way to purchase parts* www.speedpart.com